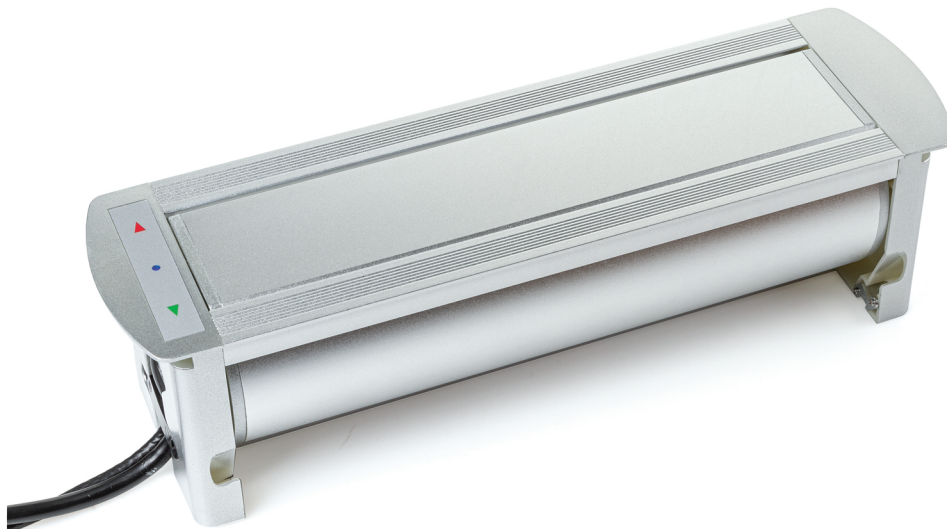


● Motorized Flip Up Socket



1. Description

This series rotatable desktop socket is an innovative equipment to provide electrical and AV access. It is used together with the furniture. It integrates the

electronics technology and automation into the modern furniture and humanize with the automation and safety.

2. Features

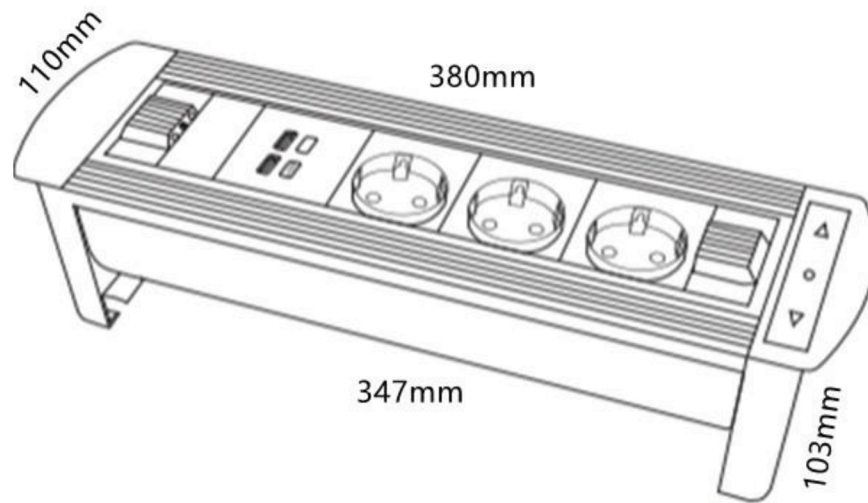
1. It is equipped with power outlet, network, telephone, audio, microphone, VGA, HDMI, USB, RCA, XLR connectors and etc. Other AV connectors are customized.
2. It offers photoelectric protection and magnetic clutch motor drive protection.
3. Hiding all the connectors through one button when not in use, in order to avoid accident caused by drop and foreign bodies, and also get effect of beauty and decoration
4. It has the photoelectric lock out to prevent the vault from closing when anything is plugged into the unit; this feature also avoids the potential cord damage and hand injury. It will close by turning around 180 degrees to hide all the connectors with the press of the button when no cords and plugs are connected to the unit.
5. In order to keep safe, it will rebound when working with nipping something or blocking.
6. It has an electric motor drive with magnetic clutch. This ensures reliable rotation and the ability orient itself to the proper position.

3. Parameters

Product name	Motorized flip up socket
Configuration	3 Schuko + 2 USB Charger+ 1 HDMI
Panel shape	round
Material	aluminium alloy+plastic
Color	silver
Operation	Motorized rotating

Product size	380*110*103mm
Cutout size	347*104mm
Cable Length	1.5m
Voltage	110-250V/60HZ

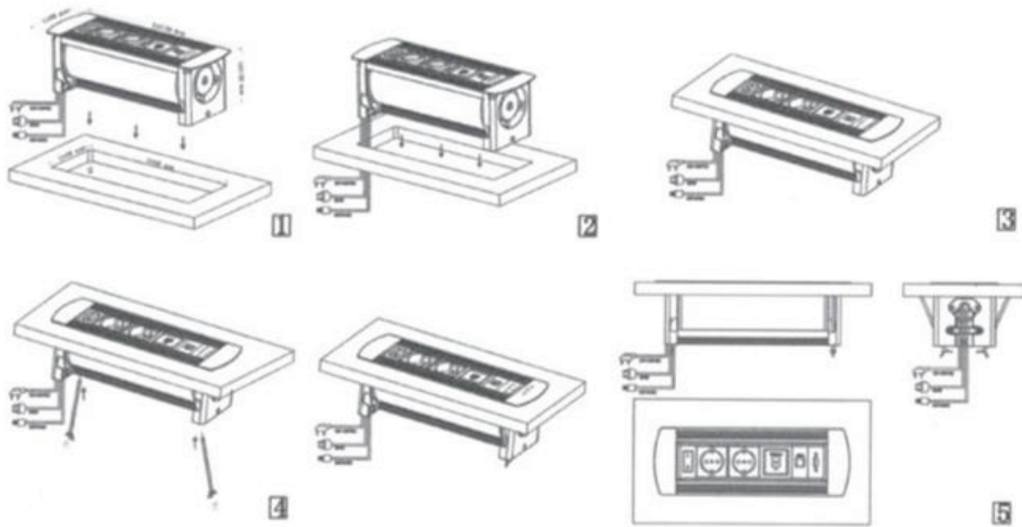
4. Drawing



cutout: 347*104mm

5. Installation

- Drill a hole 347*104mm in work surface (can be 1-2mm wider);
- Ensure there is sufficient space under the table for the unit
- Put socket in from top of the table
- Put screw ring from bottom of the table to fix the socket



6. Operation

- plug the power and confirm the power indicator is on;
- press the operational button(Green), all the connectors are revealed by 180 degree rotation;
- after use finished, press the closed button(Red), all the connectors are concealed by 180 degrees rotation again.

7. Maintenance & Care

- Always disconnect the power prior to cleaning
- Periodically wipe over with soft cloth
- Do not use harsh chemical cleaning products as it may damage the finish.